

LEGENDA DE ELETRICA

Table with 3 columns: SIMBOLOGIA, DESCRICAO, and DIMENSOES. It lists various electrical symbols and their corresponding descriptions and dimensions, such as 'LUMINARIA SUSPENSORA EM TETO' and 'LUMINARIA COM LAMPADA 2x 2W'.

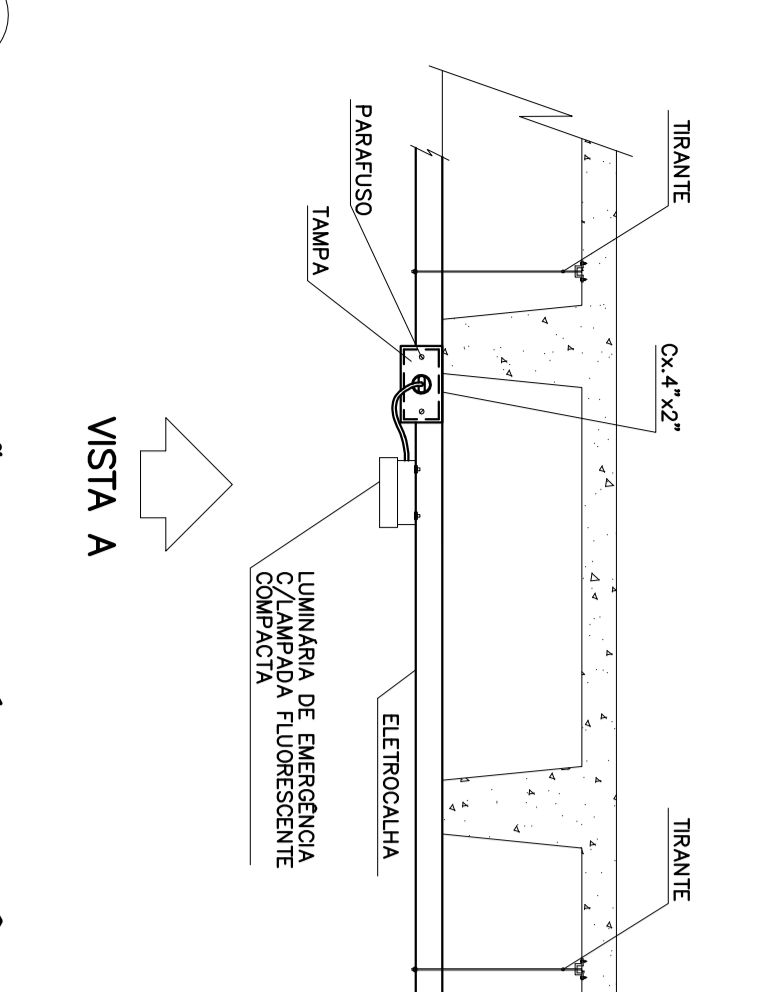
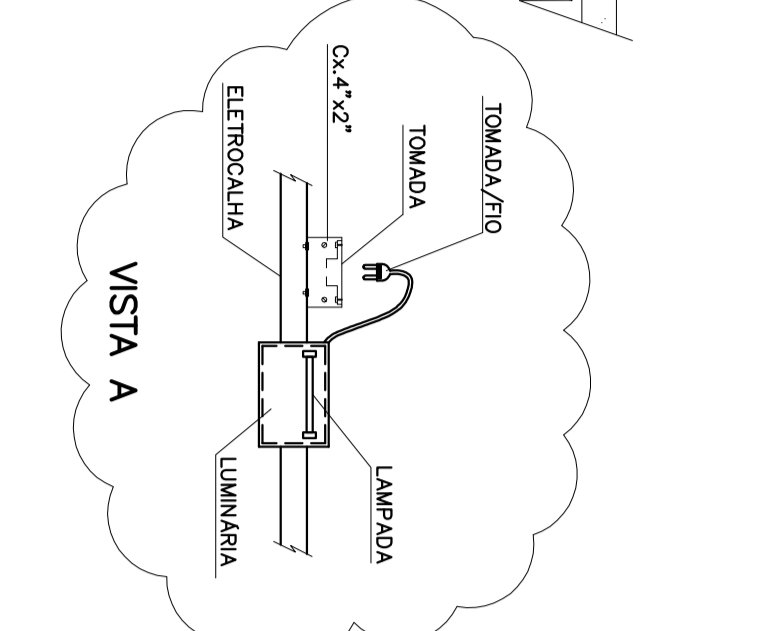
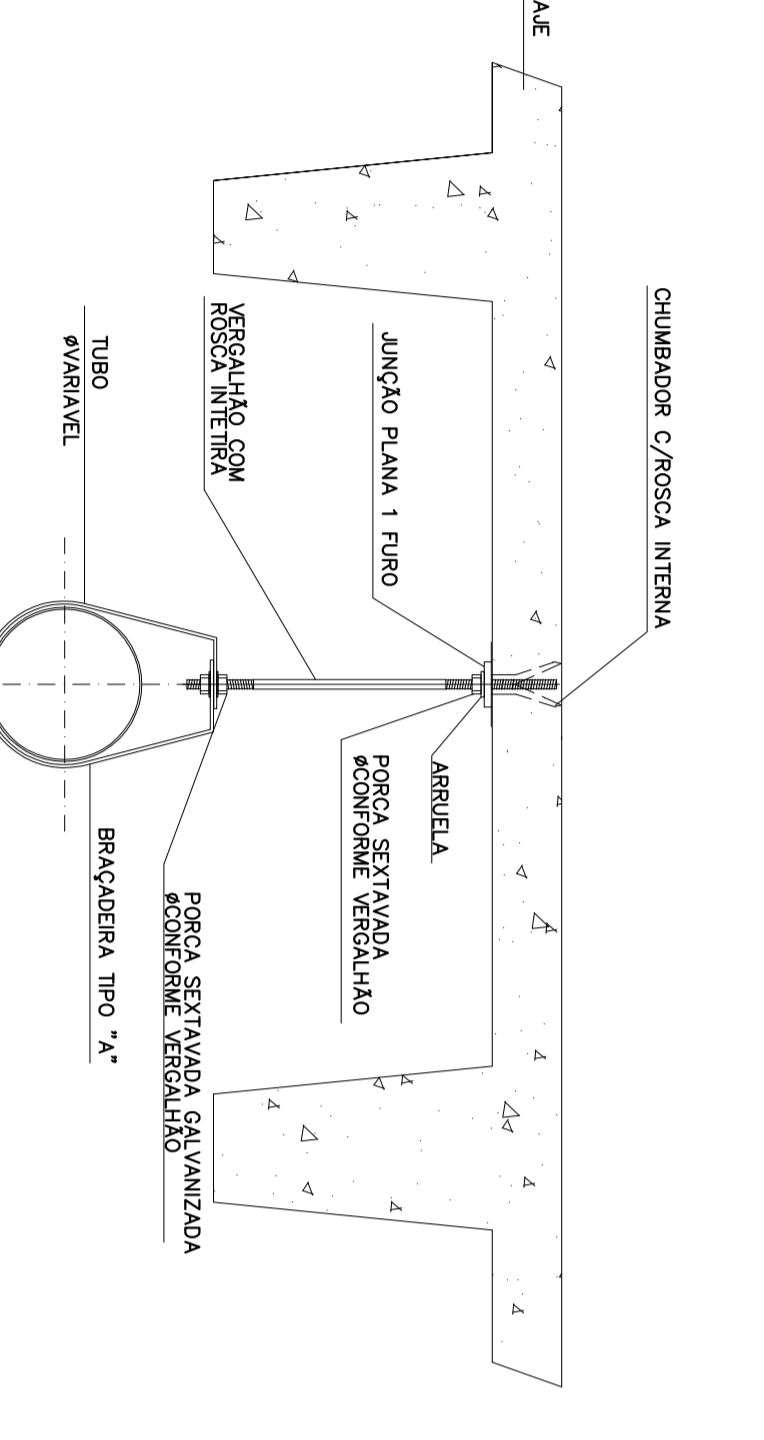
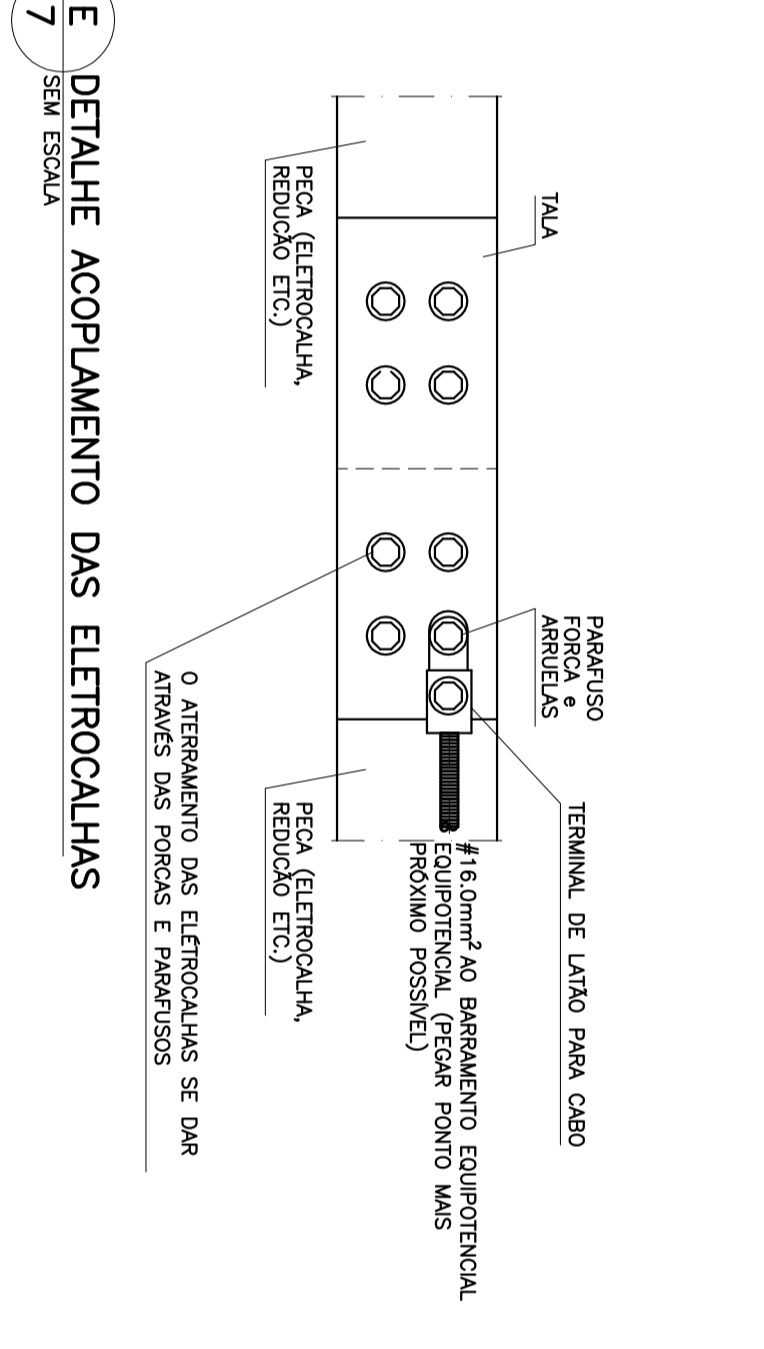
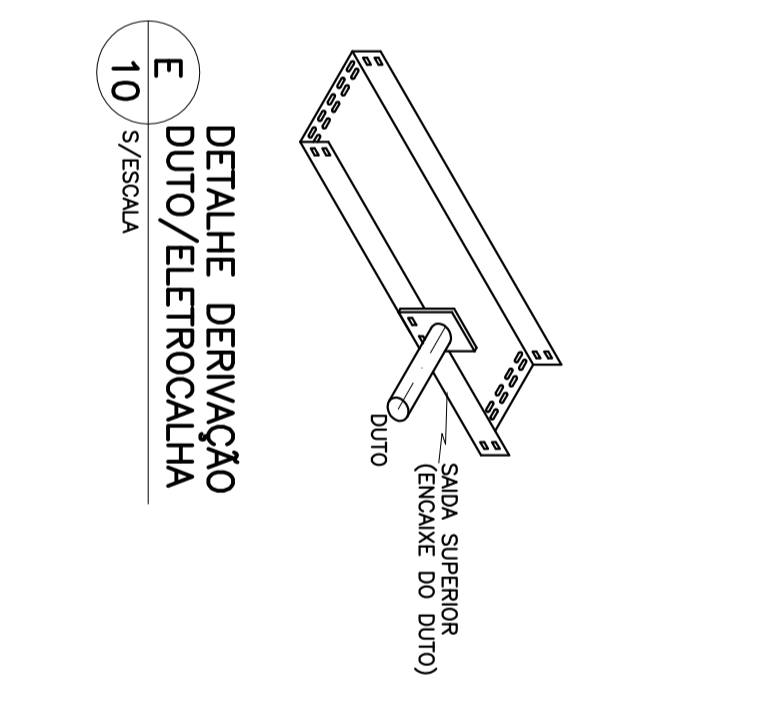
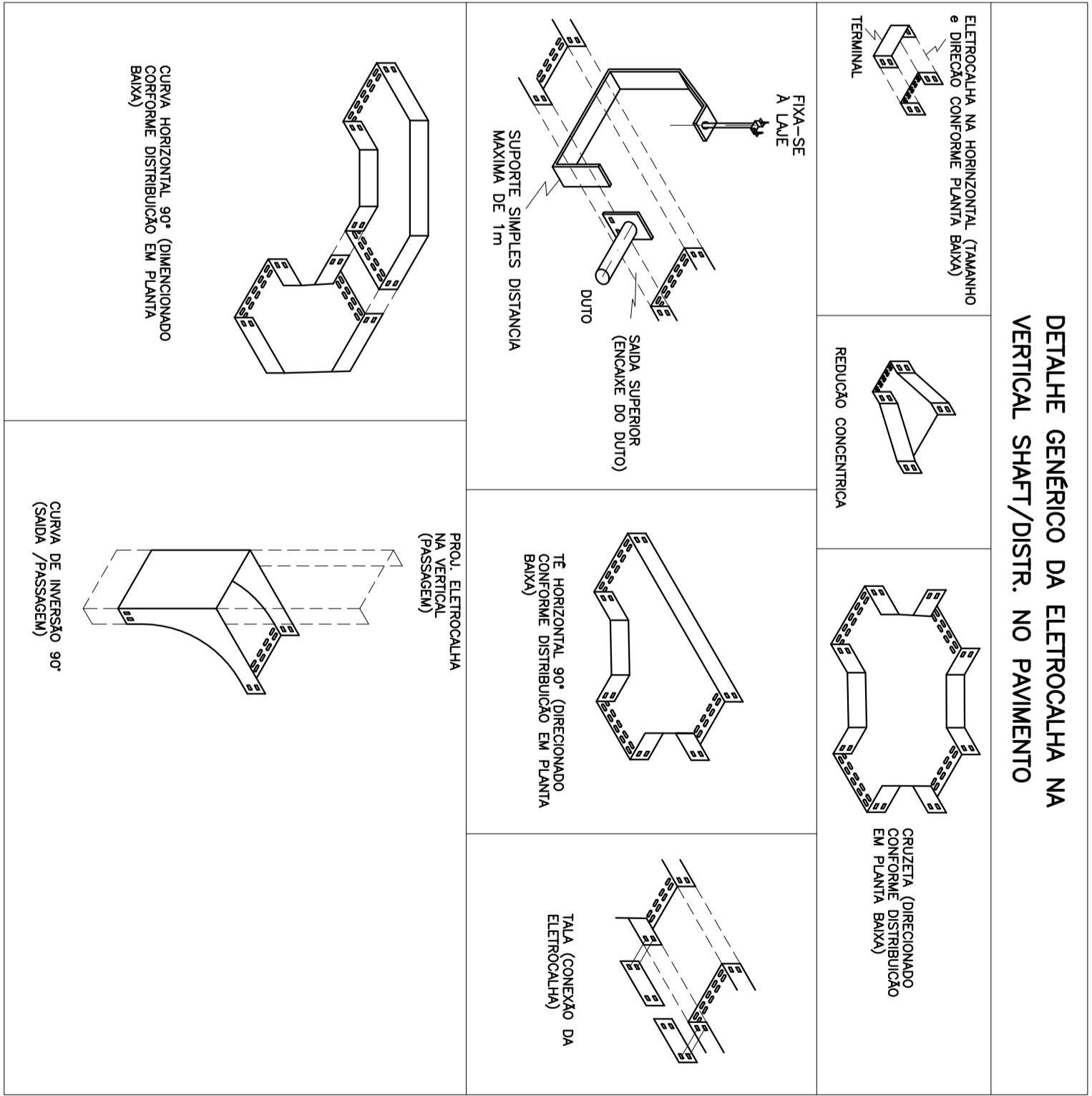
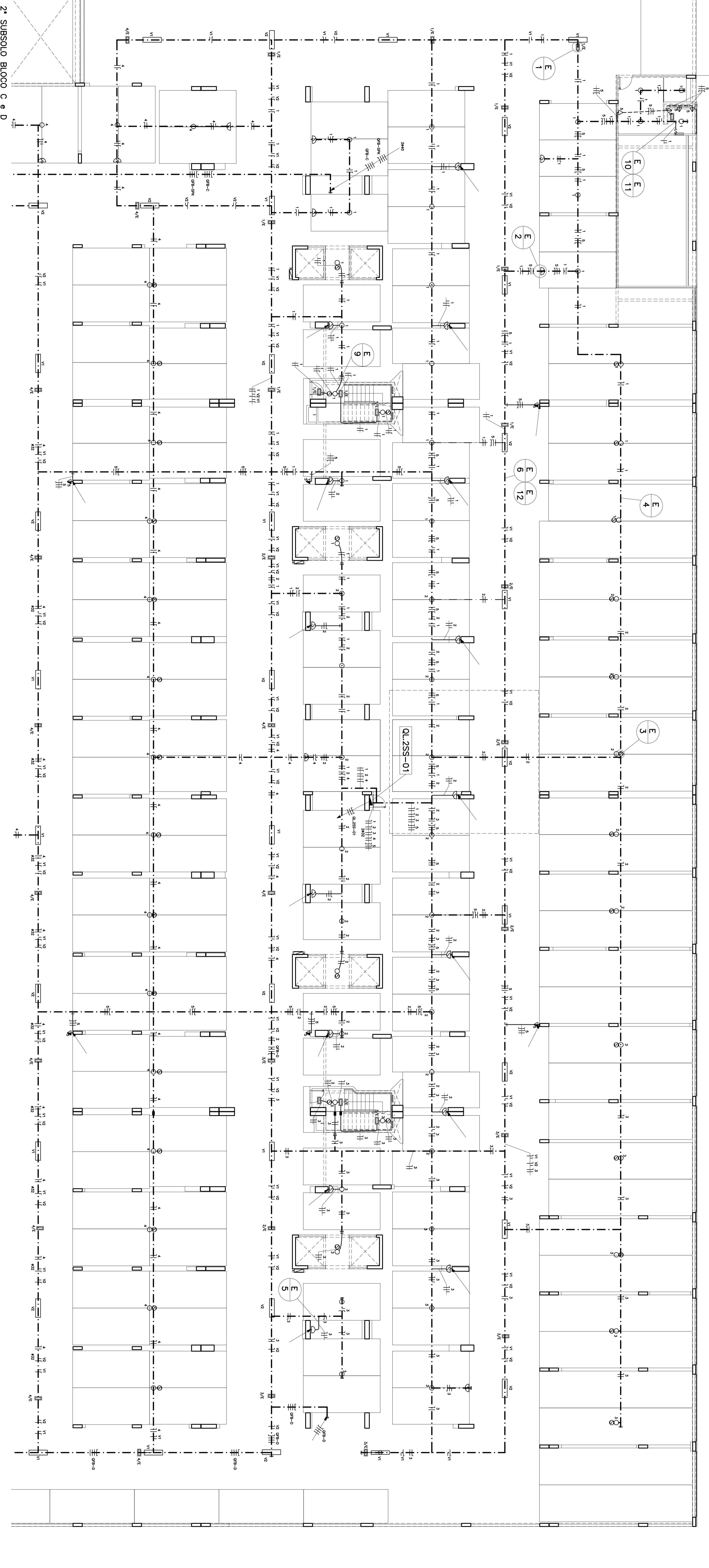
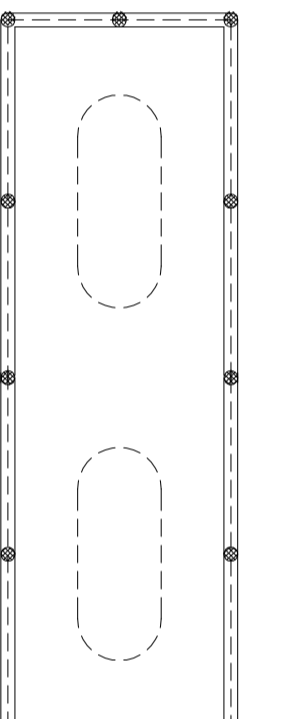
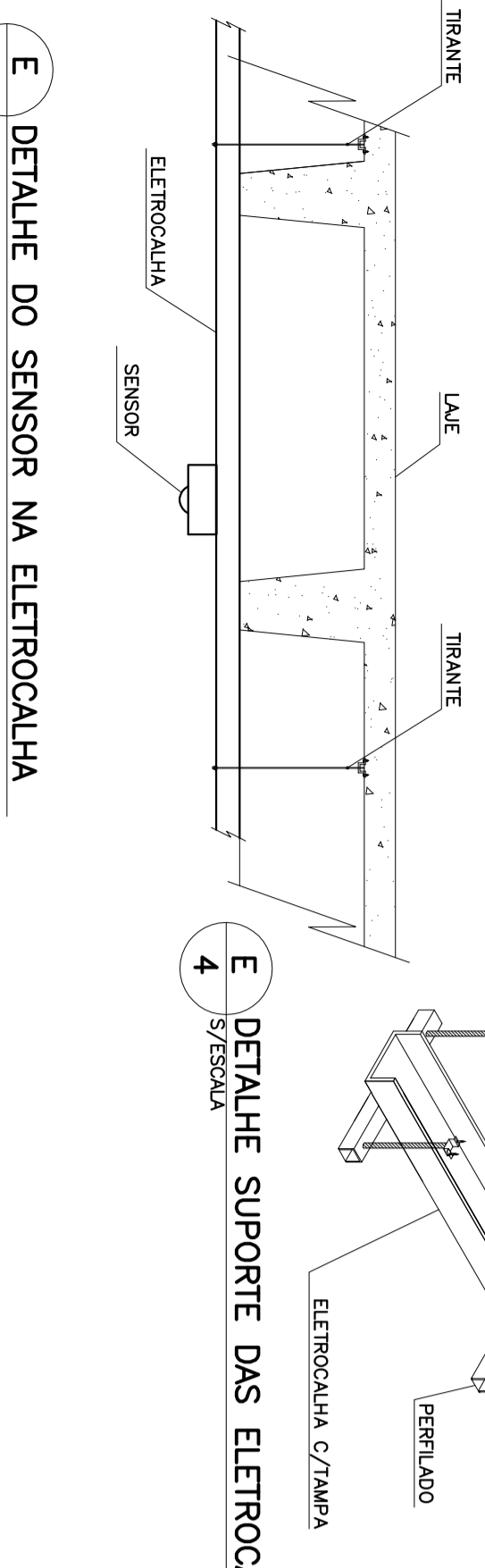
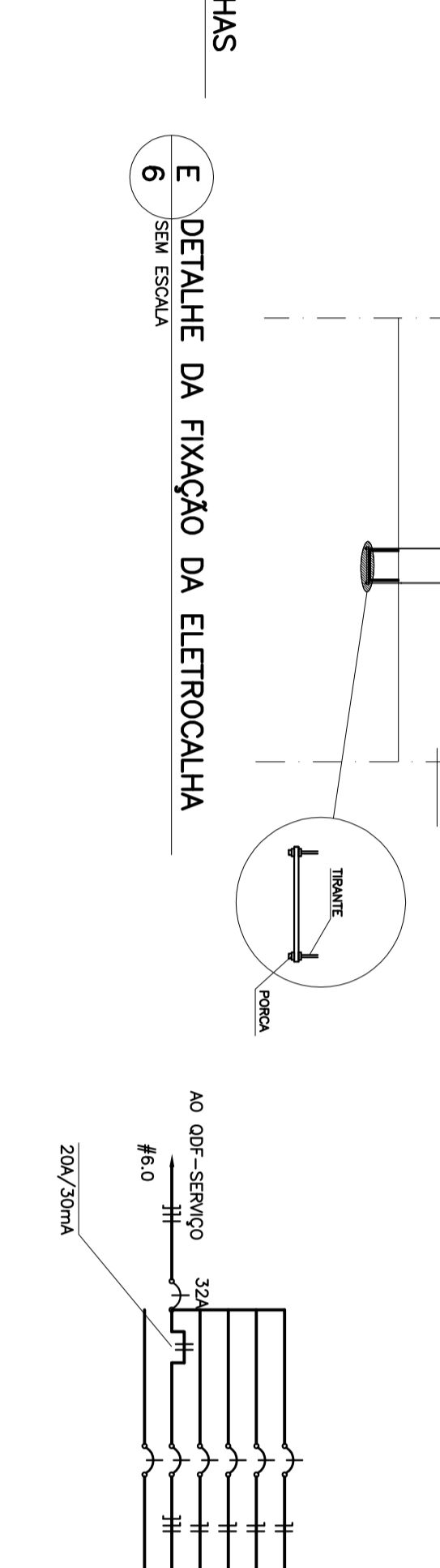
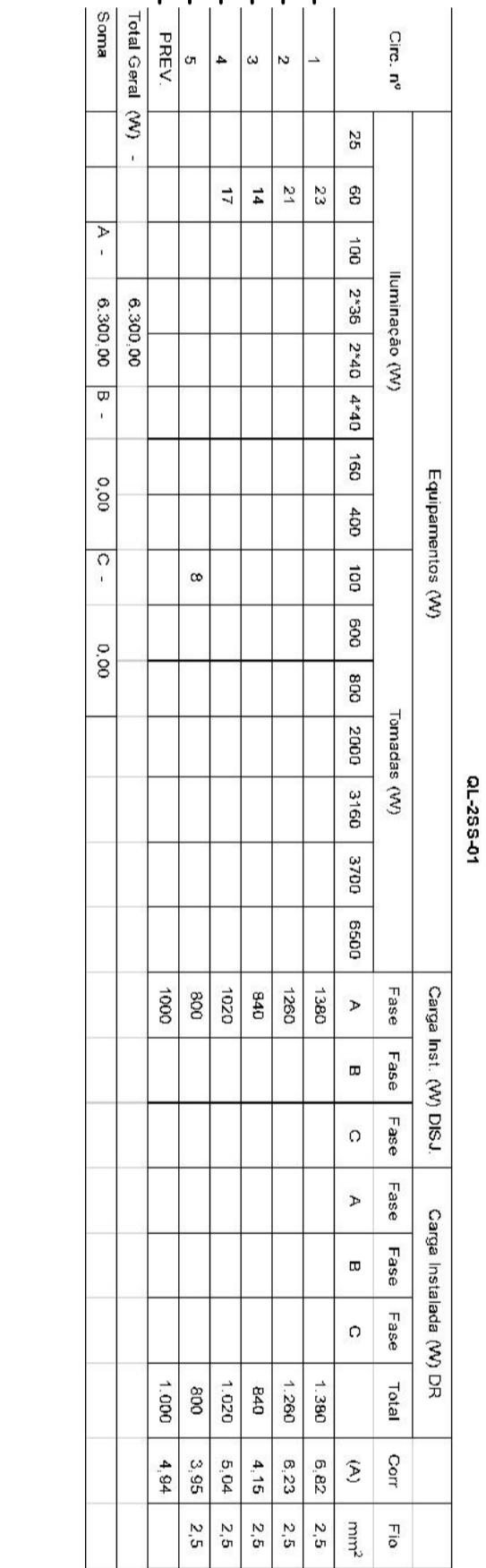


Table with 4 columns: Tipo, Quantidade (QTD), Unidade (UN), Valor. It lists various electrical components and their quantities, such as 'LUMINARIA SUSPENSORA' and 'LUMINARIA COM LAMPADA'.



2º SUBSOLLO BLOCO C e D  
ESCALA 1:100

CLUBE RESORT/OTEL  
DISCO  
IE - 2/23  
Olympique

martins  
PROJETOS DE INSTALACOES  
ELETRICA - LUMINACAO  
DETALHES e LEGENDA

Table with 3 columns: PROJETO DE INSTALACOES, DISCO, and IE - 2/23. It lists project details and specifications.

Table with 3 columns: PROJETO DE INSTALACOES, DISCO, and IE - 2/23. It lists project details and specifications.